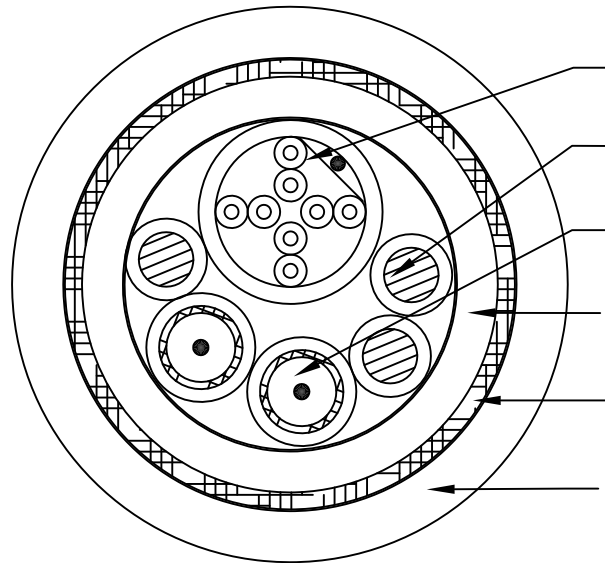


CRAIGEARN BUSINESS PARK  
MORRISON WAY  
KINTORE, ABERDEENSHIRE  
AB51 0TH  
TEL : 44 1467 633780  
FAX : 44 1467 631284  
WEB : WWW.1ST4CABLES.COM

PART OF THE CABLE & DATA  
SOLUTIONS GROUP LTD



- CAT5E FTP PATCH CABLE
- 3 CORES (1.5 SQ MM)
- 2 RG59 MINI COAXIAL'S (75 OHM)
- ZHFR POLYURETHANE BEDDING SHEATH (R.T. 1.2 MM)
- GALVANISED STEEL WIRE BRAID + WRAP OF FIBRE TAPE
- ZHFR POLYURETHANE SHEATH (R.T. 1.5 MM)

APPROX DIAMETER 16.3 MM  
±0.5MM

CABLE CONSTRUCTION :

3 CORES (1.5 SQ MM) + 2 RG59 MINI COAXIAL'S (75 OHM) + 1 CAT5E FTP PATCH CABLE + FILLERS + ZHFR PU BEDDING + GALVANISED STEEL WIRE BRAID (INC. WRAP OF FIBRE TAPE) + ZHFR POLYURETHANE OUTER

ELECTRICAL DETAILS :

	<u>1.5 sq mm</u>
WORKING VOLTAGE	500 VOLTS
MAXIMUM CONDUCTOR RESISTANCE	13.7 OHMS/KM
INSULATION RESISTANCE CORE TO CORE	>500 M/OHMS /KM
INSULATION RESISTANCE CORE TO SHIELD	>500 M/OHMS /KM

COMPONENT DETAILS :

1.5 SQ MM CORE DIAMETER	2.6 MM
COAXIAL DIAMETER	3.2 MM
CAT5E DIAMETER	5.4 MM

PHYSICAL DETAILS :

OVERALL DIAMETER	16.3 MM
LAID UP SIZE OF CABLE	9.7 MM
R.T. PU SHEATH	1.5 MM
R.T. PU BEDDING SHEATH	1.2 MM

WEIGHT OF CABLE IN AIR	308 KG/KM
WEIGHT OF CABLE IN WATER	94 KG/KM

BEND RADIUS :

STATIC	163 MM
DYNAMIC	245 MM

DRAWING NO : HS-SK 1094

ISSUE NO : 1

DRWG BY : J. ROSS

**FLEXIBLE SOLUTIONS FOR HARSH ENVIRONMENTS**

THIS DRAWING AND INFORMATION IS COPYRIGHT TO CABLE & DATA SOLUTIONS GROUP LTD  
THEREFORE INFORMATION MAY NOT BE USED WITHOUT WRITTEN PERMISSION FROM CABLE & DATA SOLUTIONS GROUP LTD